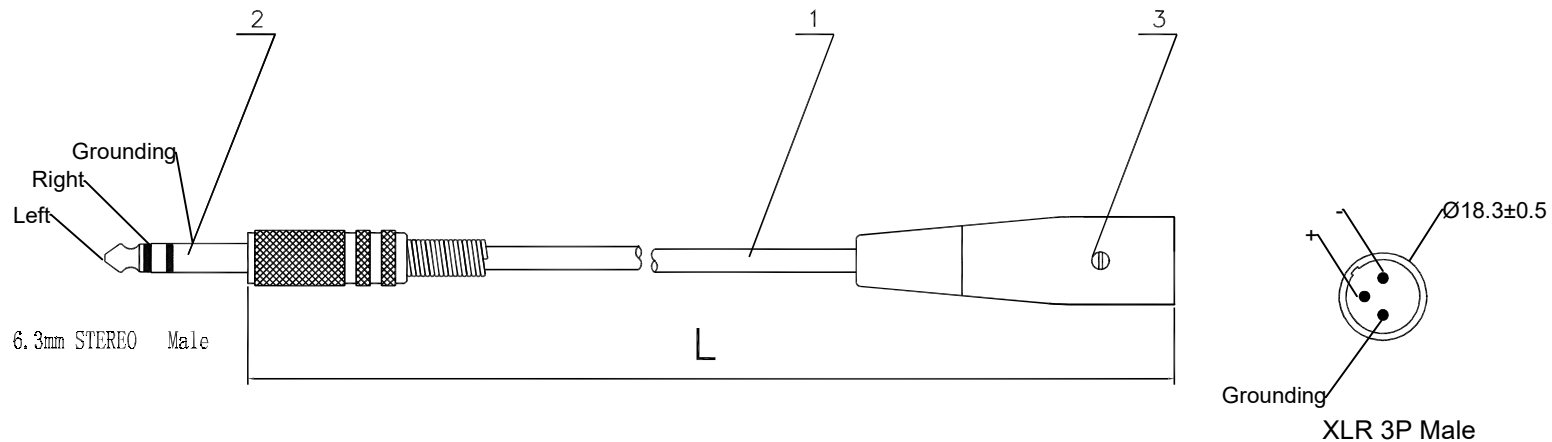


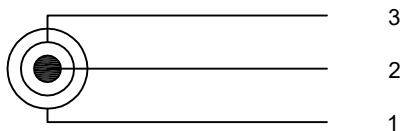
NOTE: ALL MATERIAL COMPLIANT ROHS STANDARD

REVISION INFORMATION			
Rev.	Rev. Date	Modified By	Brief Description
1.0	2022.04.07	Cheng Pu	XLR 3P M/ 1/4" TRS M Microphone Cable



Connection

XLR 3P Male 1 / 4" Stereo Plug



ELECTRICAL TESTING

1. CONDUCTOR RESISTANCE: ≤5Ω 300V DC

NO.	PART NAME	SPECIFICATION DESCRIPTION	QTY	UNIT
③	Plug	XLR 3P Male	1	1
②	Plug	1 / 4 " Stereo Plug	1	1
①	Cable	10/1.0CCS*2C+10/0.10CCS OD:5.0	1	1

LANshack

Sales@LANshack.com | 888-568-1230

DRAWN BY Mr. Kuo	DATE: 2022.02.23	DESCRIPTION: XLR 3P Male to 1/4" TRS (Balanced Audio) Microphone Cable
CHECK BY Mr. Liu	SHEET 1 of 1	ITEM NO. LS-XLRM-14TRS-XX
APPROVED BY John Lee	SCALE 2:1	REV. 00 UNIT: mm